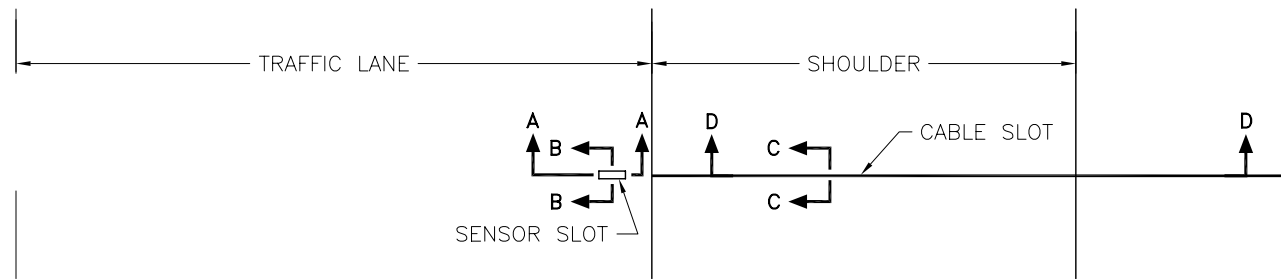
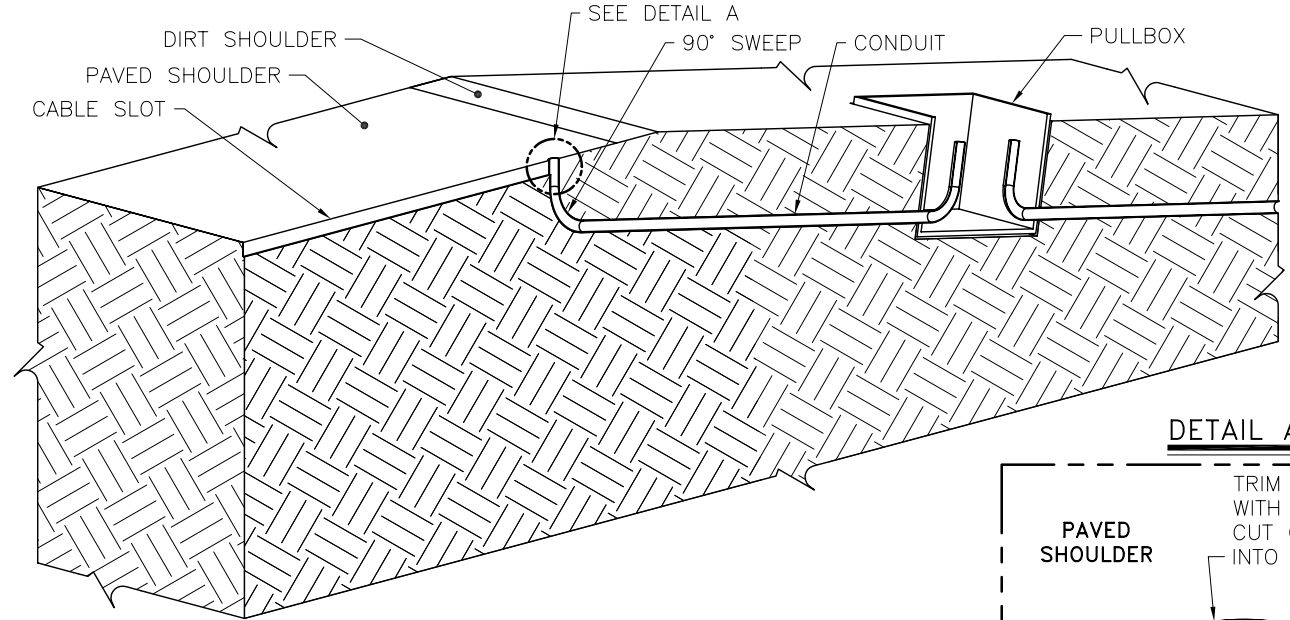


**PLAN VIEW – SENSOR INSTALLATION**

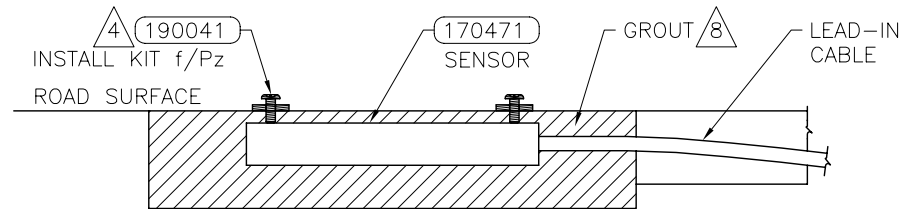


**SECTION D-D (CABLE ROUTING DETAILS)**

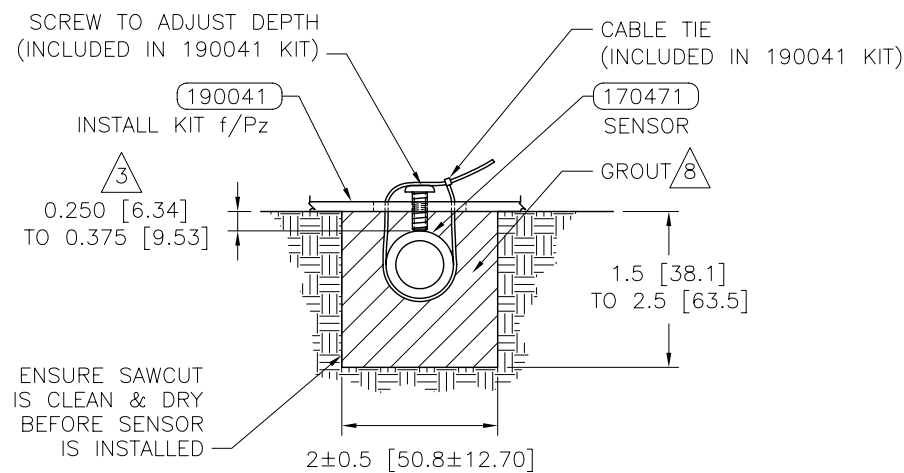


**SENSOR P/N 170471**

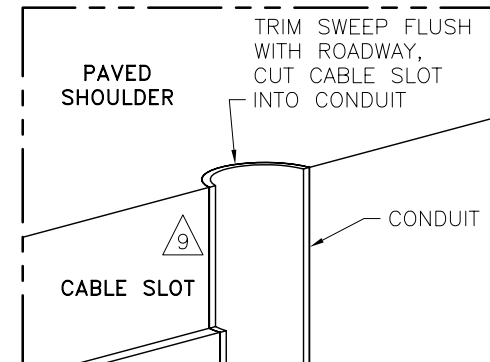
**SECTION A-A**



**SECTION B-B**

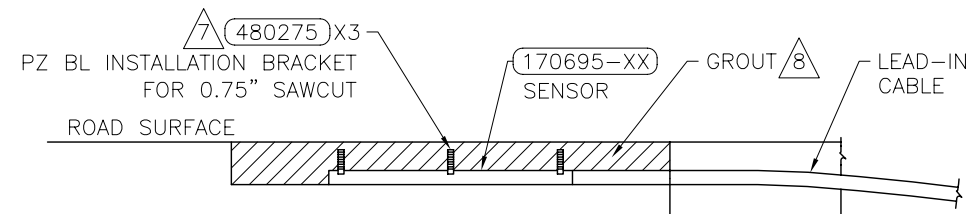


**DETAIL A**

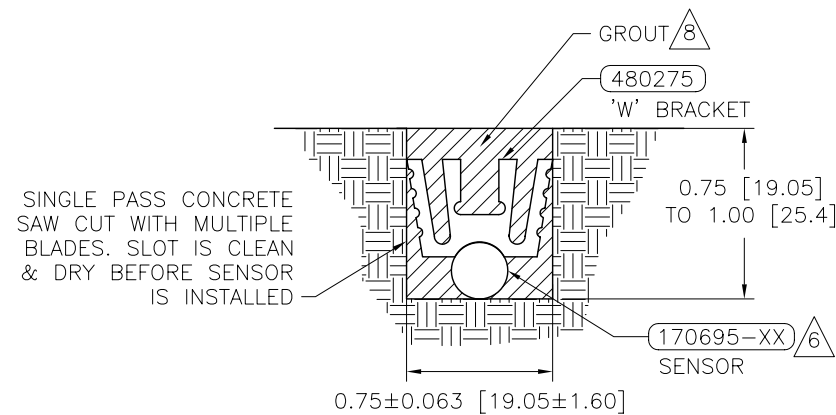


**SENSOR P/N 170695-XX**

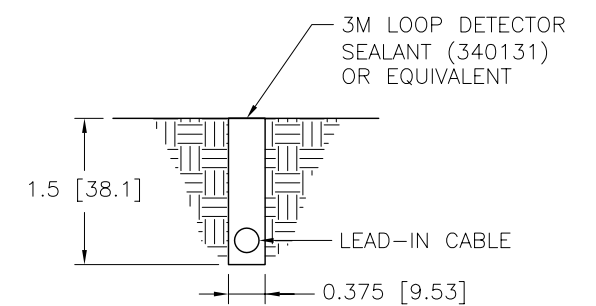
**SECTION A-A**



**SECTION B-B**



**SECTION C-C**



**ORIGINAL**

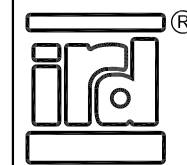
**NOTES: (THIS SHEET ONLY)**

- 1 CRACKS OR SAW CUTS IN THE ROADWAY MUST NOT BE LOCATED CLOSER THAN 18" [450MM] UPSTREAM AND 18 [450MM] DOWNSTREAM OF THE TEMPERATURE SENSOR.
- 2 SLOT LENGTH IS 4" [102MM] LONGER THAN SENSOR.
- 3 SET THE SENSOR AT THE CORRECT DEPTH.
- 4 PLACE A BRACKET AT EACH END OF THE SENSOR,
- 5 LOCATE SENSOR IN SAME PAVEMENT AND WITHIN 6' [2M] OF THE TEMPERATURE COMPENSATED DEVICE. AVOID PLACING IN WHEEL PATH.
- 6 WEDGE SENSOR AGAINST FLOOR OF CUT UNDER "W" CLIP (P/N 480275).
- 7 SPACE THREE BRACKETS (P/N 480275) EVENLY OVER THE LENGTH OF THE SENSOR,
- 8 USE GROUT OF SAME TYPE AS THAT OF SENSOR BEING COMPENSATED:  
PIEZO – USE AS475 (340028) OR PU200 (IT2000285)  
KISTLER – USE KISTLER GROUT (340139) OR FLEXOLITH (340082)
- 9 CORE DRILL OR CUT NOTCH IN PAVED SHOULDER FOR SWEEP. PLUG SWEEP OPENING, COVER WITH LOOP SEALANT.

REV.	DESCRIPTION	DWN/DSN	APPR.	APPR.	DATE
A	INITIAL RELEASE	JGi/ACo	DPr	DBo	MAR 21/06
B	REMOVE LM35 FROM TITLE BLOCK. ECO-01.	JGi/BMc	MLo	DBo	DEC 19/06
C	ADD INSTALLATION INSTRUCTIONS FOR 1 WIRE SENSOR (P/N 170695). ECO-02.	JGi/MLo	MLo	RLu	APR 18/08
D	ADD NOTES FOR SPECIFIC GROUTS. ADD SHEET 2 - DRAWING FOR WEIGHPAD INSTALL - ECO-03.	JGi/SpJ	DPr	SpJ	Aug 13/08
E	UPDATE CABLE ROUTING DETAILS AS PER REDLINES - ECO-2013.	JGi/MLo			MAR 9/11

**CONFIDENTIAL**

THIS DOCUMENT CONTAINS INFORMATION PROPRIETARY TO IRD AND IS THEREFORE NOT TO BE DISCLOSED TO OTHERS OR USED FOR PRODUCTION WITHOUT WRITTEN PERMISSION FROM INTERNATIONAL ROAD DYNAMICS INC.



NOT TO SCALE

SIZE: B

DIMENSIONS IN: INCHES [mm]

**INTERNATIONAL ROAD DYNAMICS INC. SASKATOON SASKATCHEWAN CANADA**

DWG. TITLE: **INSTALLATION IN ROAD TEMPERATURE SENSOR**

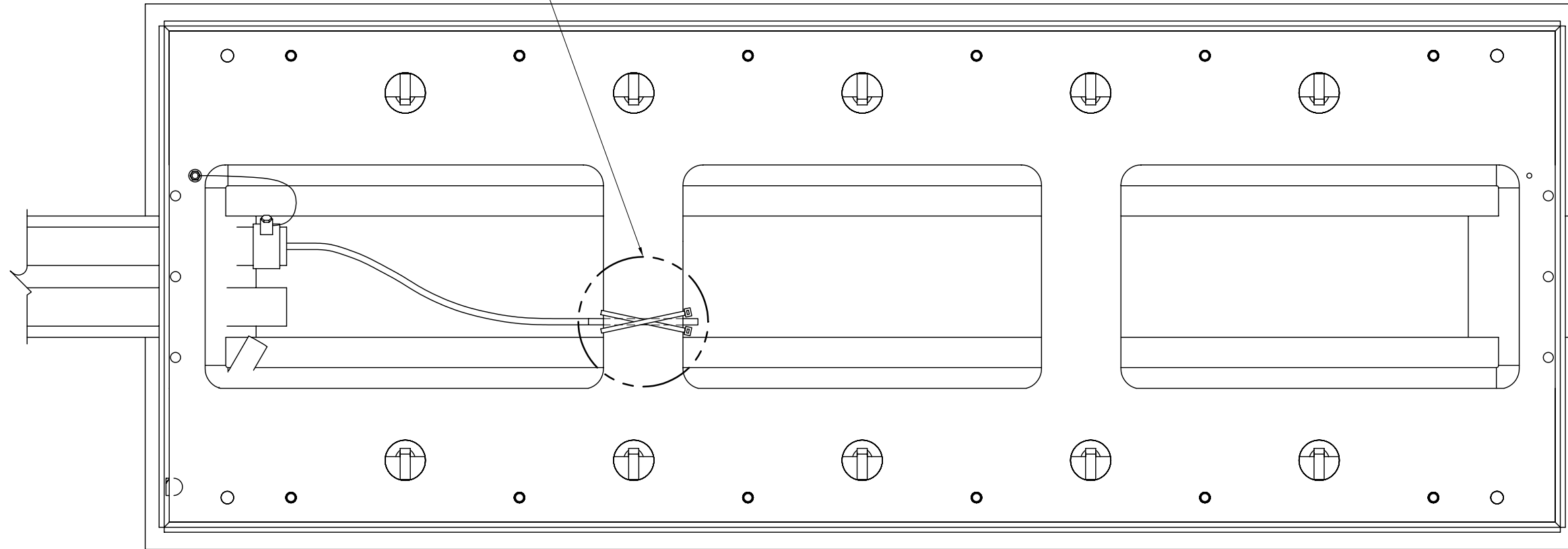
DWG. No. **81302201** REV.: E

CAD FILE: 81302201.DWG SHEET 1 OF 2

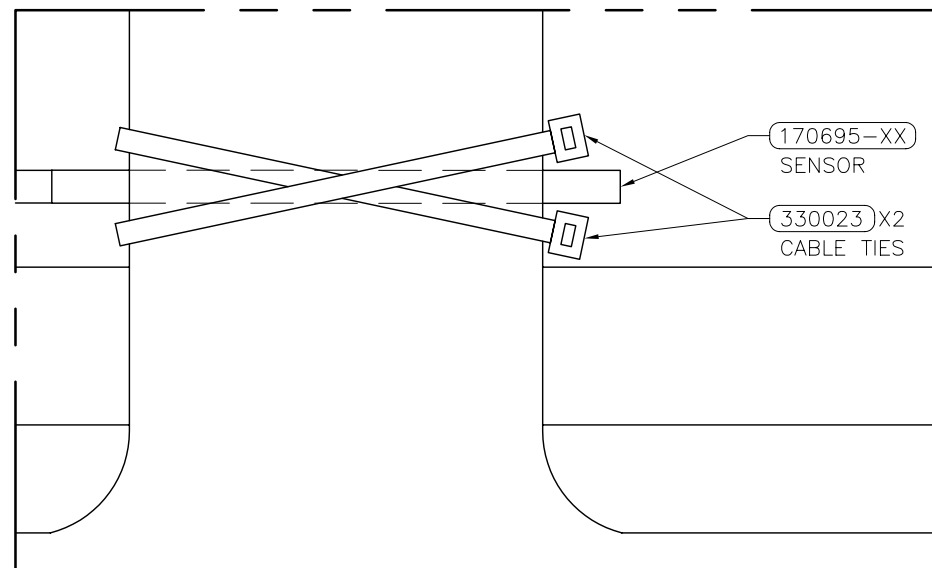
SENSOR P/N 170695-XX

WEIGHPAD INSTALLATION

SENSOR HELD AGAINST  
UNDERSIDE OF WEIGHPAD  
FRAME BY CABLE TIES  
- SEE DETAIL A



DETAIL A

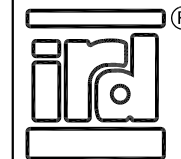


**ORIGINAL**

REV.	DESCRIPTION	DWN/DSN	APPR.	APPR.	DATE
A	INITIAL RELEASE	JGi/ACo	DPr	DBo	MAR 21/06
B	REMOVE LM35 FROM TITLE BLOCK. ECO-01.	JGi/BMc	MLo	DBo	DEC 19/06
C	ADD INSTALLATION INSTRUCTIONS FOR 1 WIRE SENSOR (P/N 170695). ECO-02.	JGi/MLo	MLo	RLu	APR 18/08
D	ADD NOTES FOR SPECIFIC GROUTS, ADD SHEET 2 - DRAWING FOR WEIGHPAD INSTALL - ECO-03.	JGi/SpJ	DPr	SpJ	Aug 13/08
E	UPDATE CABLE ROUTING DETAILS AS PER REDLINES - ECO-2013.	JGi/MLo	THa	MLo	MAR 9/11

**CONFIDENTIAL**

THIS DOCUMENT CONTAINS INFORMATION PROPRIETARY TO IRD AND IS THEREFORE NOT TO BE DISCLOSED TO OTHERS OR USED FOR PRODUCTION WITHOUT WRITTEN PERMISSION FROM INTERNATIONAL ROAD DYNAMICS INC.



NOT TO SCALE

SIZE: B

DIMENSIONS IN: INCHES [mm]

**INTERNATIONAL ROAD DYNAMICS INC.  
SASKATOON SASKATCHEWAN CANADA**

DWG. TITLE: **INSTALLATION  
IN ROAD  
TEMPERATURE SENSOR**

DWG. No. **81302201** REV.: E

CAD FILE: 81302201.DWG SHEET 2 OF 2