

XCESSORIES SQUARED DEV. & MFG. Auburn, IL 62615

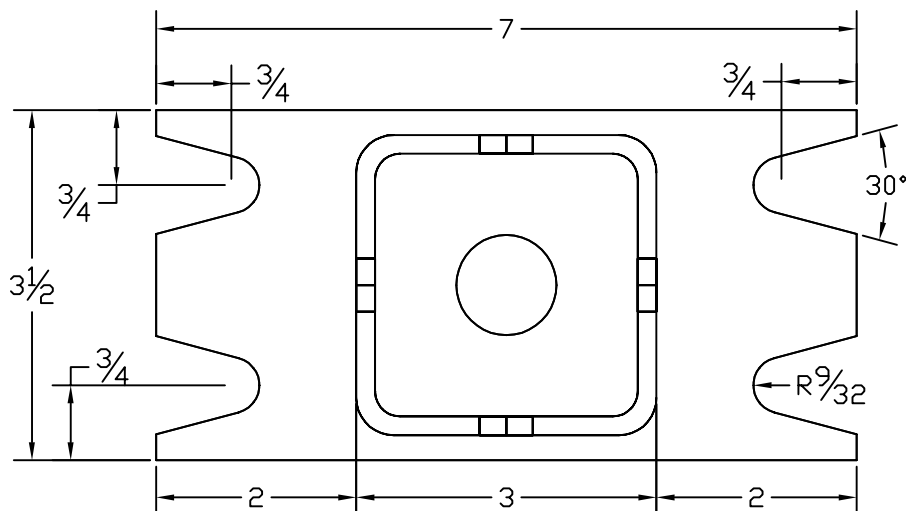
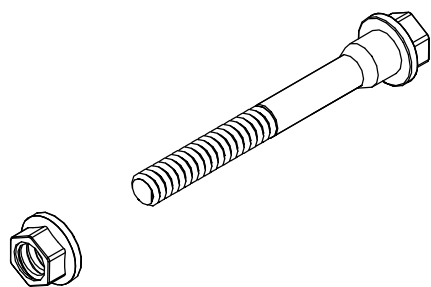
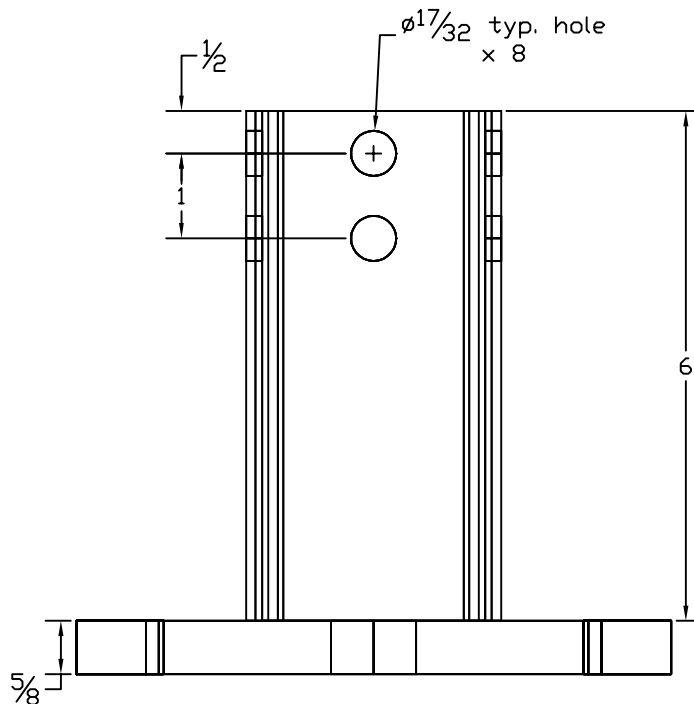
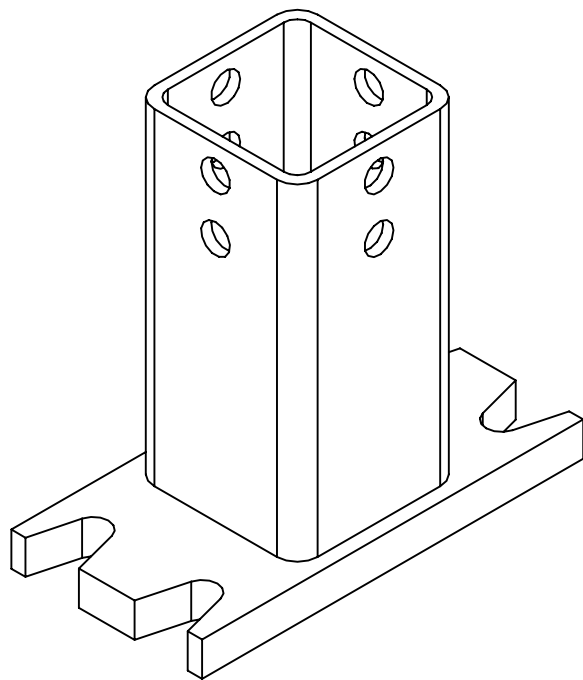
tel: 217-438-3535 fax: 217-438-3917

BILL OF MATERIALS

①	SLIP PLATE	1 each	ASTM A572 GRADE 50 PLATE STEEL
②	TUBE RECEIVER	7 IN.	ASTM A500 GRADE B TUBE
③	BOLT	2 EA.	3/8"-16 X 3-1/2" GR. 8 FL. SHOULDER BOLT
④	NUT	2 EA.	3/8"-16 GR. 8 SER. FL. NUT

*Do not scale drawing-work to dimensions
 *All tolerances +/- 1/64" unless otherwise noted
 *Unit of Measure - Inches

**ALABAMA
 DOT**



DWG# SB735F-25T-G

Revision Original Date 5-08-09

Description of Revision (Supercedes Previous Drawing)

DESCRIPTION 2-1/2" square slip base top to retrofit to existing S3x5.7 beam stubs - flat slip plate

FINISH Galv. per ASTM A153 DRAWN BY MEL WEIGHT 7.75 lbs.

XCESSORIES SQUARED DEV. & MFG. Auburn, IL 62615

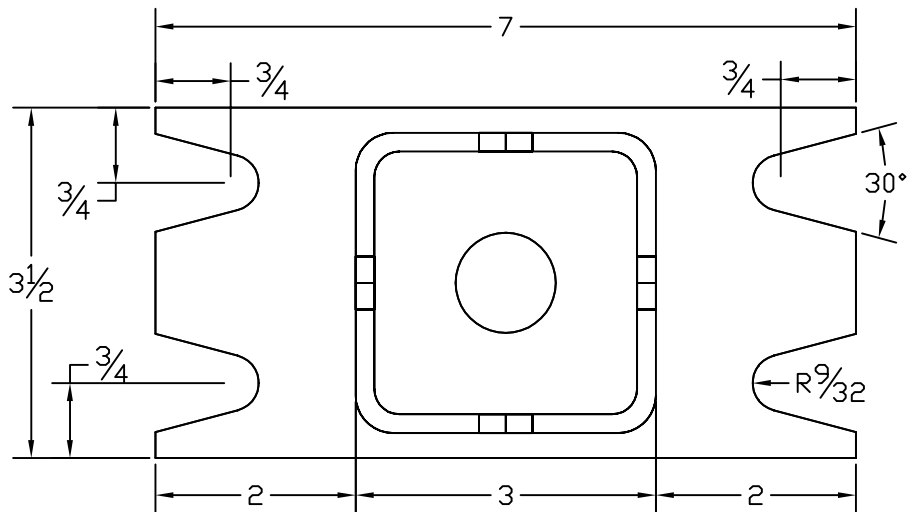
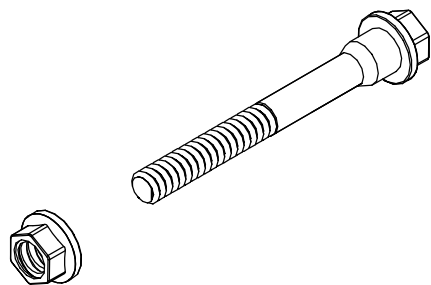
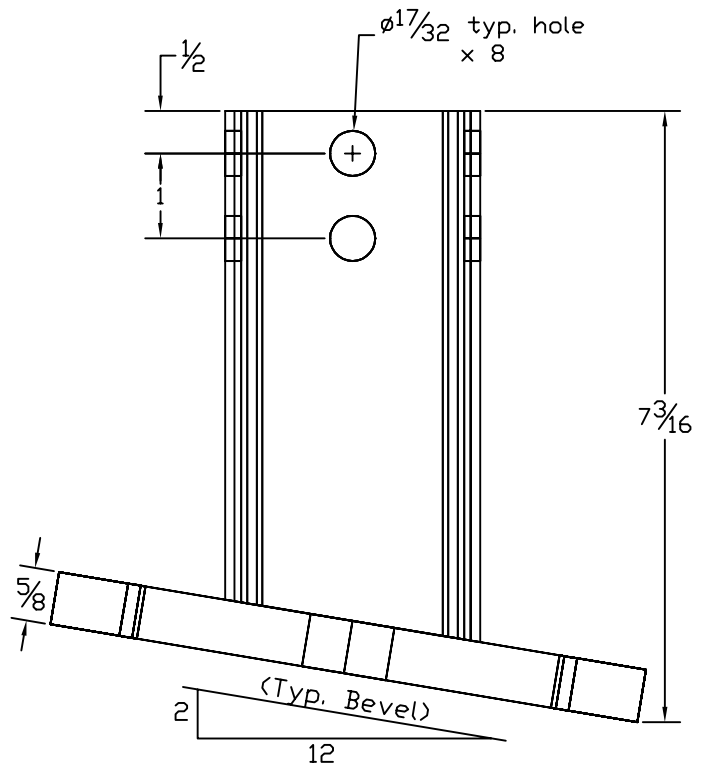
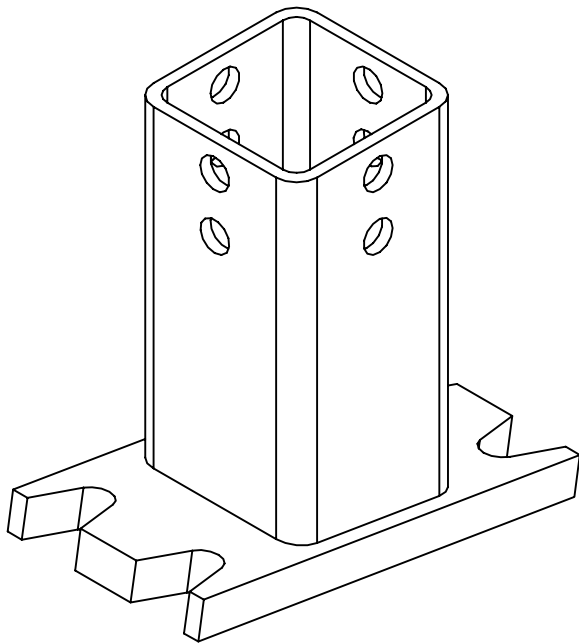
tel: 217-438-3535 fax: 217-438-3917

BILL OF MATERIALS

①	SLIP PLATE	1 each	ASTM A572 GRADE 50 PLATE STEEL
②	TUBE RECEIVER	7 IN.	ASTM A500 GRADE B TUBE
③	BOLT	2 EA.	3/8"-16 X 3-1/2" GR. 8 FL. SHOULDER BOLT
④	NUT	2 EA.	3/8"-16 GR. 8 SER. FL. NUT

*Do not scale drawing-work to dimensions
 *All tolerances +/- 1/64" unless otherwise noted
 *Unit of Measure - Inches

**ALABAMA
 DOT**



DWG# SB735I-25T-G

Revision	Date	Description of Revision (Supersedes Previous Drawing)
Original	5-08-09	

DESCRIPTION: 2-1/2" square slip base top to retrofit to existing S3x5.7 beam stubs - incline slip plate

FINISH: Galv. per ASTM A153
 DRAWN BY: MEL
 WEIGHT: 7.75 lbs.

XCESSORIES SQUARED DEV. & MFG. Auburn, IL 62615

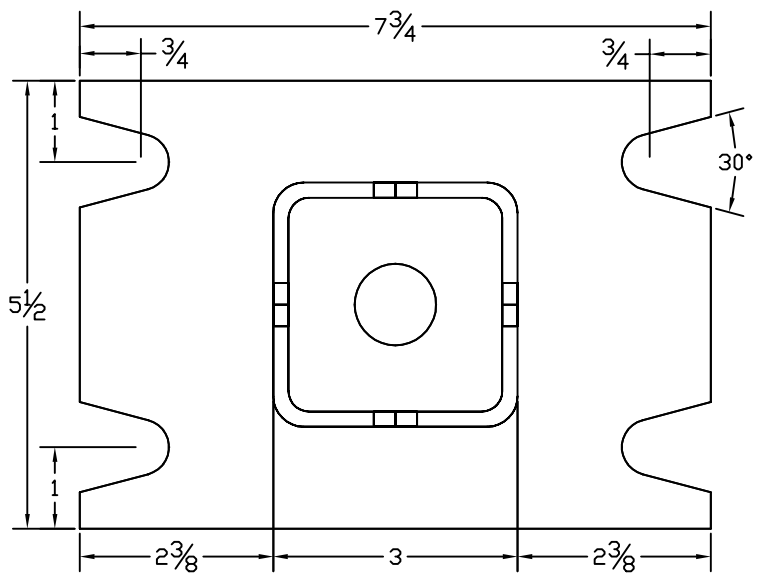
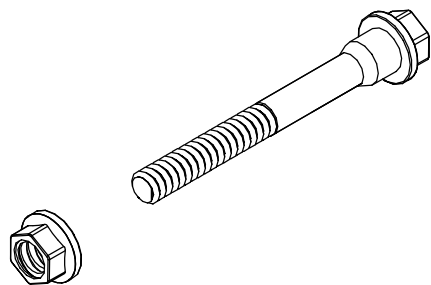
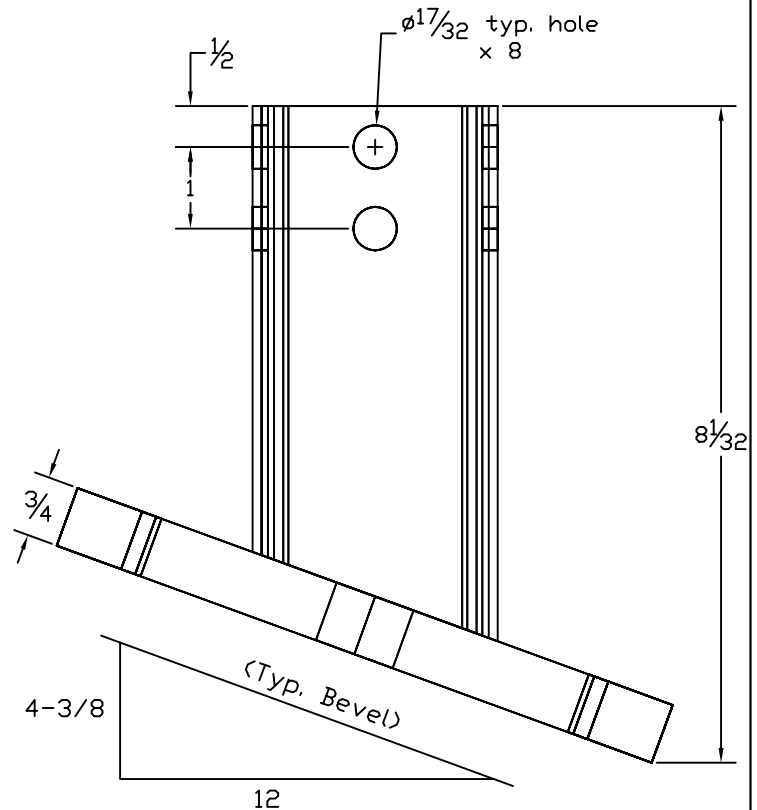
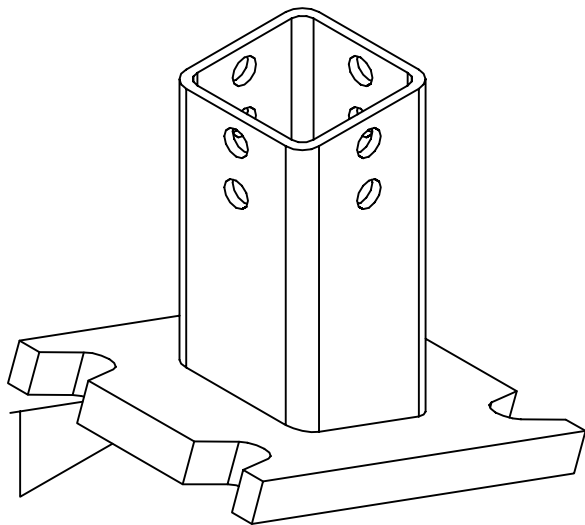
tel: 217-438-3535 fax: 217-438-3917

BILL OF MATERIALS

①	SLIP PLATE	1 each	ASTM A572 GRADE 50 PLATE STEEL
②	TUBE RECEIVER	6 IN.	ASTM A500 GRADE B TUBE
③	BOLT	2 EA.	3/8"-16 X 3-1/2" GR. 8 FL. SHOULDER BOLT
④	NUT	2 EA.	3/8"-16 GR. 8 SER. FL. NUT

*Do not scale drawing-work to dimensions
 *All tolerances +/- 1/64" unless otherwise noted
 *Unit of Measure - Inches

**ALABAMA
 DOT**



DWG# SB7855I-25T-G

Revision Original Date 5-11-09

Description of Revision (Supercedes Previous Drawing)

DESCR- 2-1/2" square slip base top to retrofit to existing
 IPTION Ø4" pipe (4-1/2" O.D.) stubs - incline slip plate

FINISH Galv. per ASTM A153 DRAWN BY MEL WEIGHT 12.45 lbs.

XCESSORIES SQUARED DEV. & MFG. Auburn, IL 62615

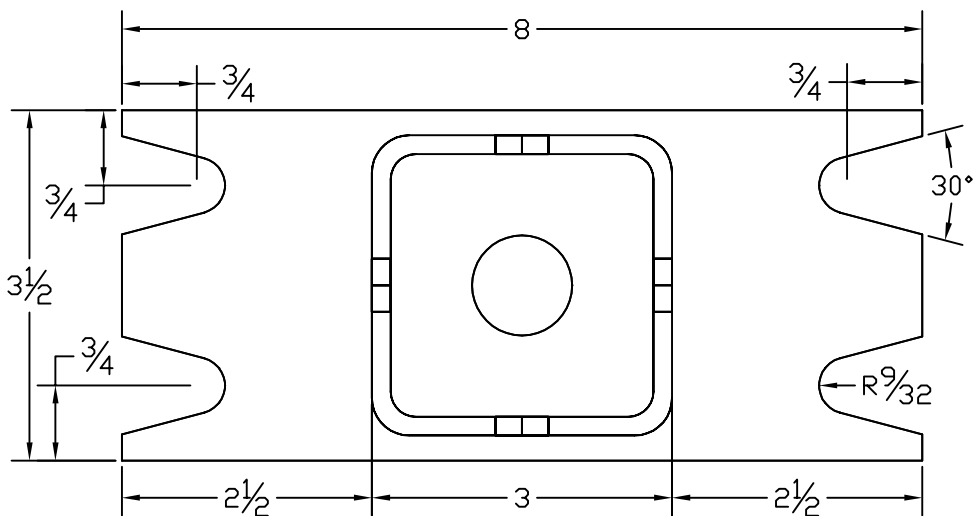
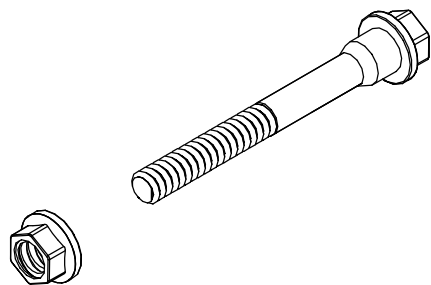
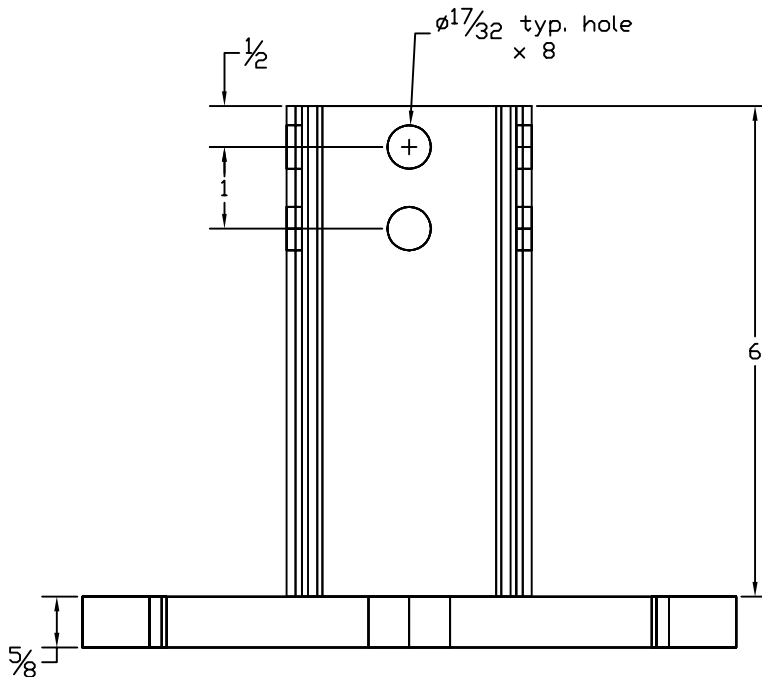
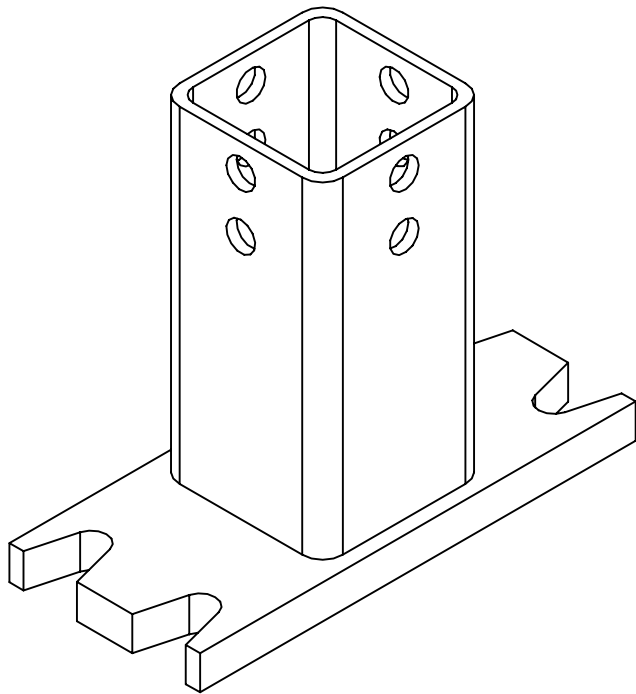
tel: 217-438-3535 fax: 217-438-3917

BILL OF MATERIALS

①	SLIP PLATE	1 each	ASTM A572 GRADE 50 PLATE STEEL
②	TUBE RECEIVER	7 IN.	ASTM A500 GRADE B TUBE
③	BOLT	2 EA.	3/8"-16 X 3-1/2" GR. 8 FL. SHOULDER BOLT
④	NUT	2 EA.	3/8"-16 GR. 8 SER. FL. NUT

*Do not scale drawing-work to dimensions
 *All tolerances +/- 1/64" unless otherwise noted
 *Unit of Measure - Inches

**ALABAMA
 DOT**



DWG# SB835F-25T-G

Revision	Date	Description of Revision (Supercedes Previous Drawing)
Original	5-08-09	

DESCRIPTION: 2-1/2" square slip base top to retrofit to existing S4x7.7 beam stubs - flat slip plate

FINISH: Galv. per ASTM A153
 DRAWN BY: MEL
 WEIGHT: 8.40 lbs.

XCESSORIES SQUARED DEV. & MFG. Auburn, IL 62615

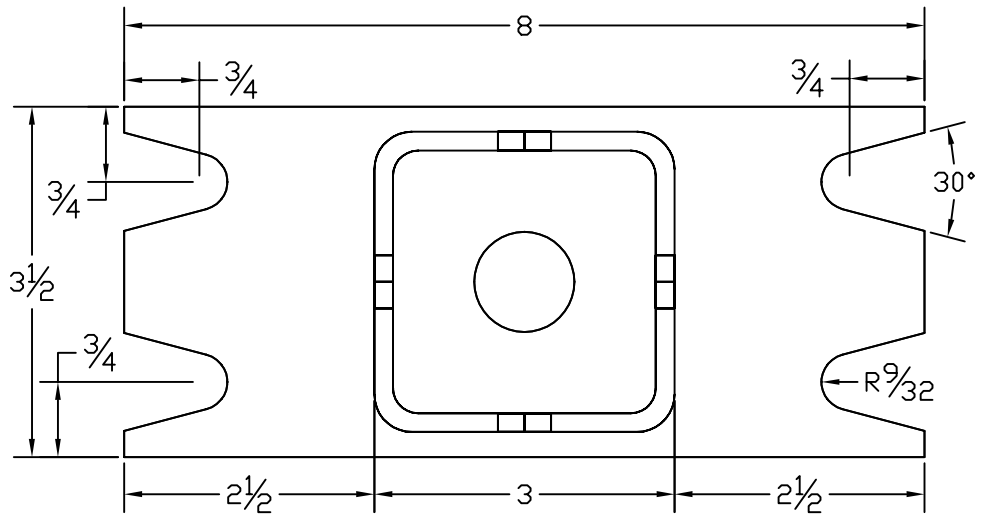
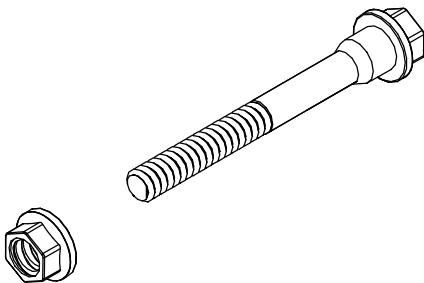
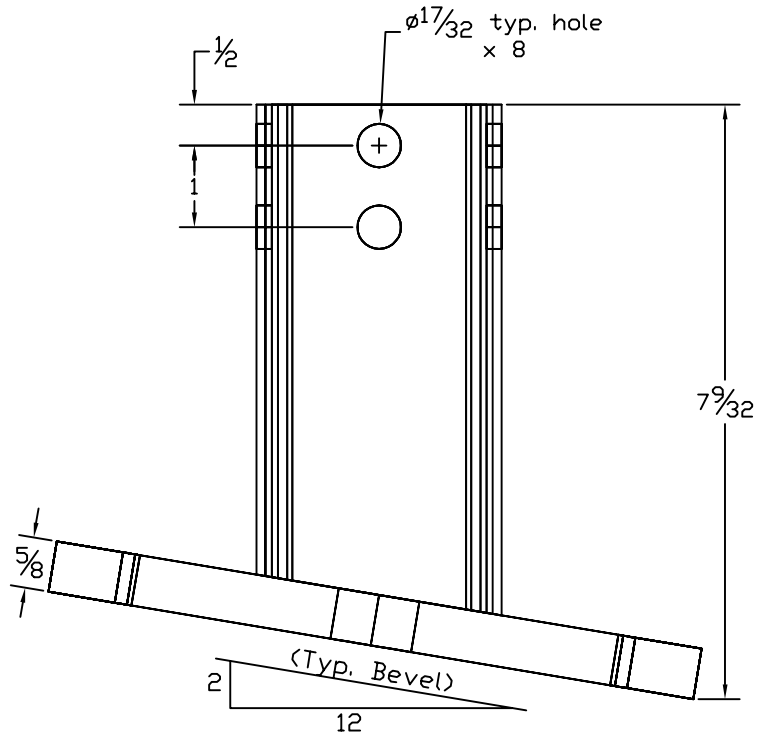
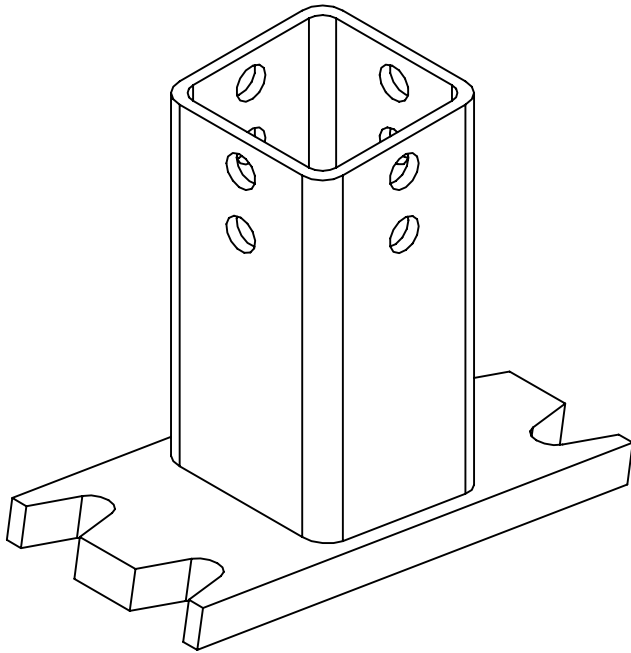
tel: 217-438-3535 fax: 217-438-3917

BILL OF MATERIALS

①	SLIP PLATE	1 each	ASTM A572 GRADE 50 PLATE STEEL
②	TUBE RECEIVER	7 IN.	ASTM A500 GRADE B TUBE
③	BOLT	2 EA.	3/8"-16 X 3-1/2" GR. 8 FL. SHOULDER BOLT
④	NUT	2 EA.	3/8"-16 GR. 8 SER. FL. NUT

*Do not scale drawing-work to dimensions
 *All tolerances +/- 1/64" unless otherwise noted
 *Unit of Measure - Inches

**ALABAMA
 DOT**



DWG# SB835I-25T-G

Revision	Date	Description of Revision (Supercedes Previous Drawing)
Original	5-08-09	

DESCRIPTION: 2-1/2" square slip base top to retrofit to existing S4x7.7 beam stubs - incline slip plate

FINISH: Galv. per ASTM A153
 DRAWN BY: MEL
 WEIGHT: 8.40 lbs.

XCESSORIES SQUARED DEV. & MFG. Auburn, IL 62615

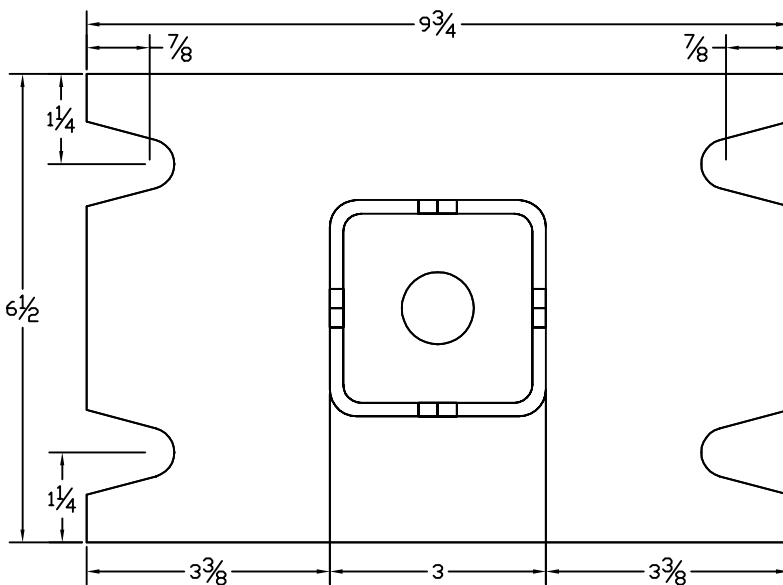
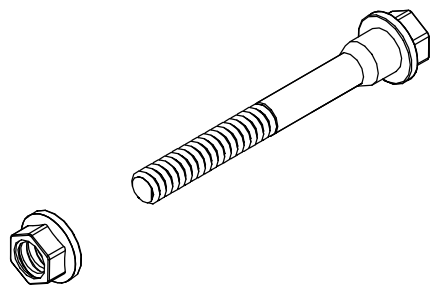
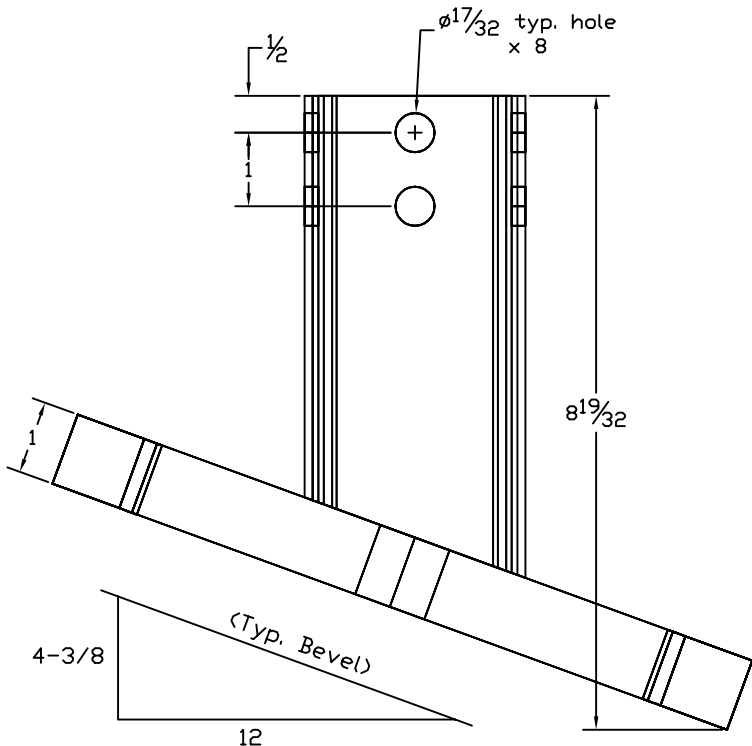
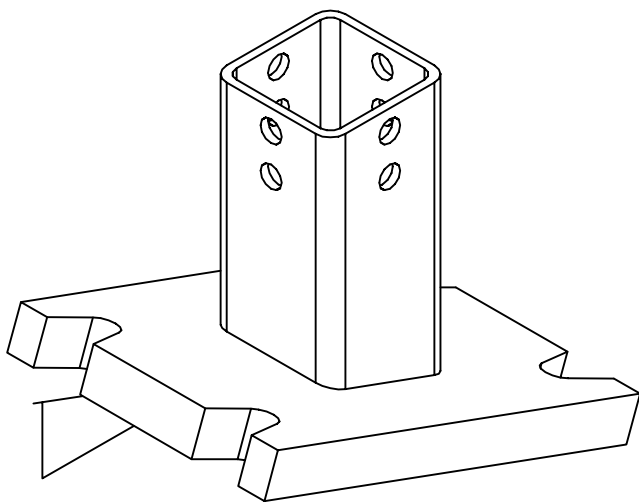
tel: 217-438-3535 fax: 217-438-3917

BILL OF MATERIALS

①	SLIP PLATE	1 each	ASTM A572 GRADE 50 PLATE STEEL
②	TUBE RECEIVER	6 IN.	ASTM A500 GRADE B TUBE
③	BOLT	2 EA.	3/8"-16 X 3-1/2" GR. 8 FL. SHOULDER BOLT
④	NUT	2 EA.	3/8"-16 GR. 8 SER. FL. NUT

*Do not scale drawing-work to dimensions
 *All tolerances +/- 1/64" unless otherwise noted
 *Unit of Measure - Inches

**ALABAMA
 DOT**



DWG# SB9865I-25T-G

Revision	Date	Description of Revision (Supercedes Previous Drawing)
Original	5-11-09	

DESCR- 2-1/2" square slip base top to retrofit to existing
 IPTION Ø5" pipe (5-1/2" O.D.) stubs - incline slip plate

FINISH Galv. per ASTM A153
 DRAWN BY MEL
 WEIGHT 21.25 lbs.