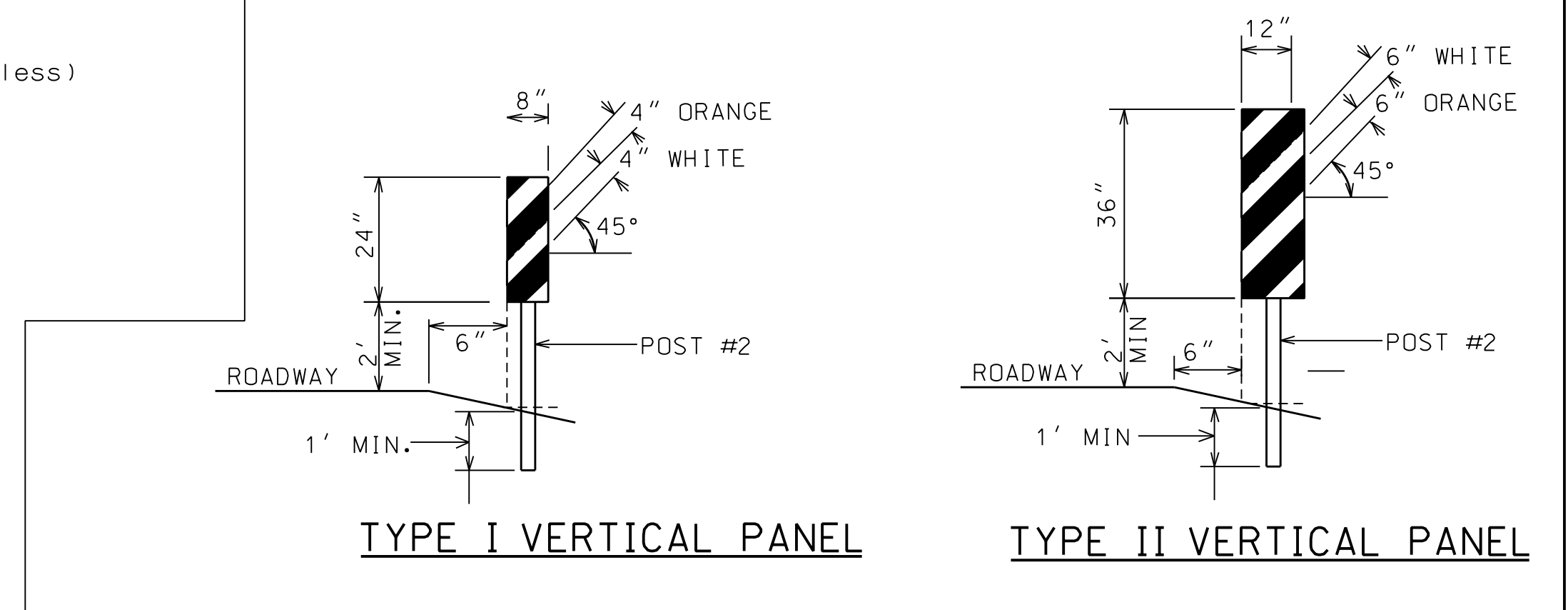
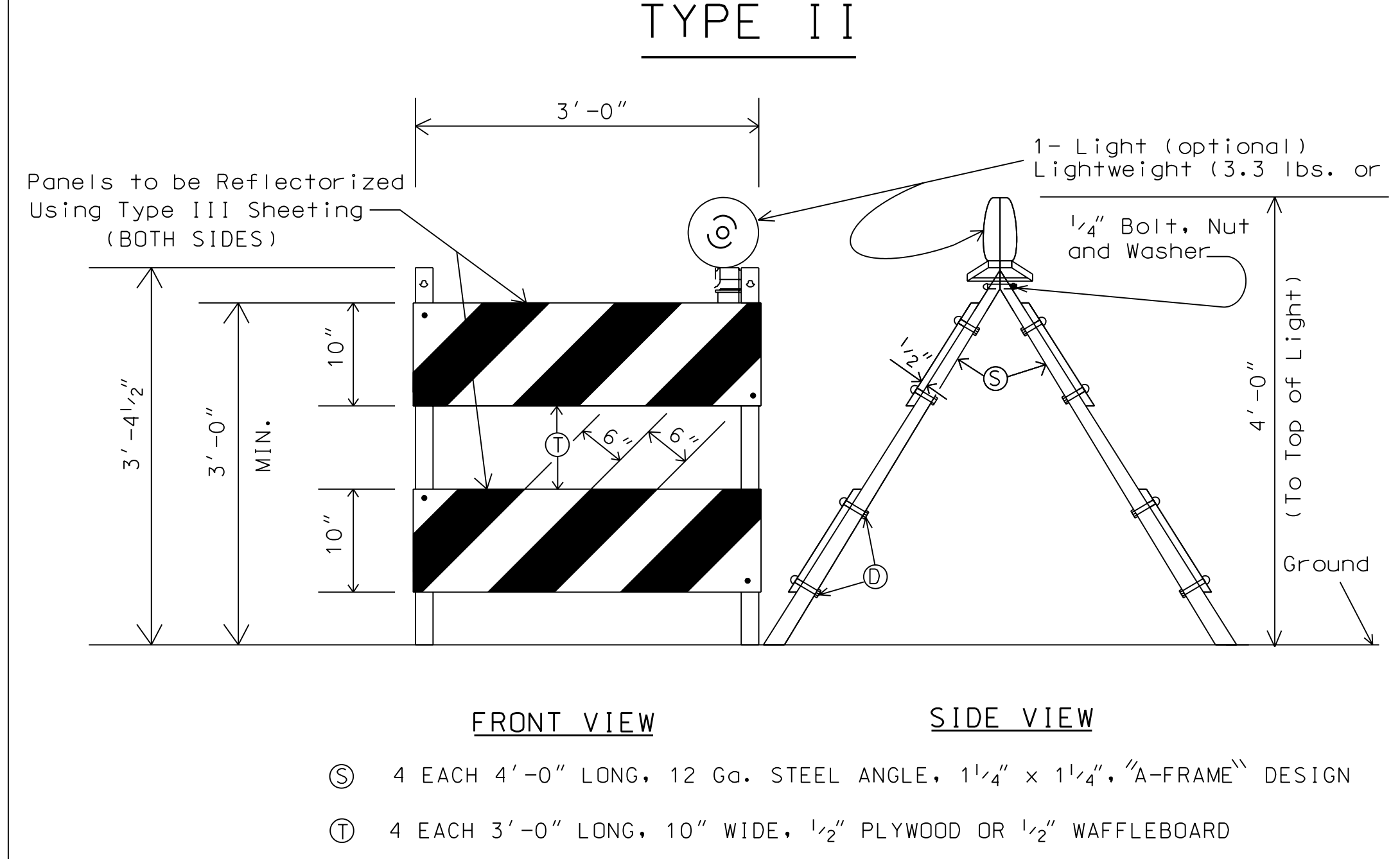
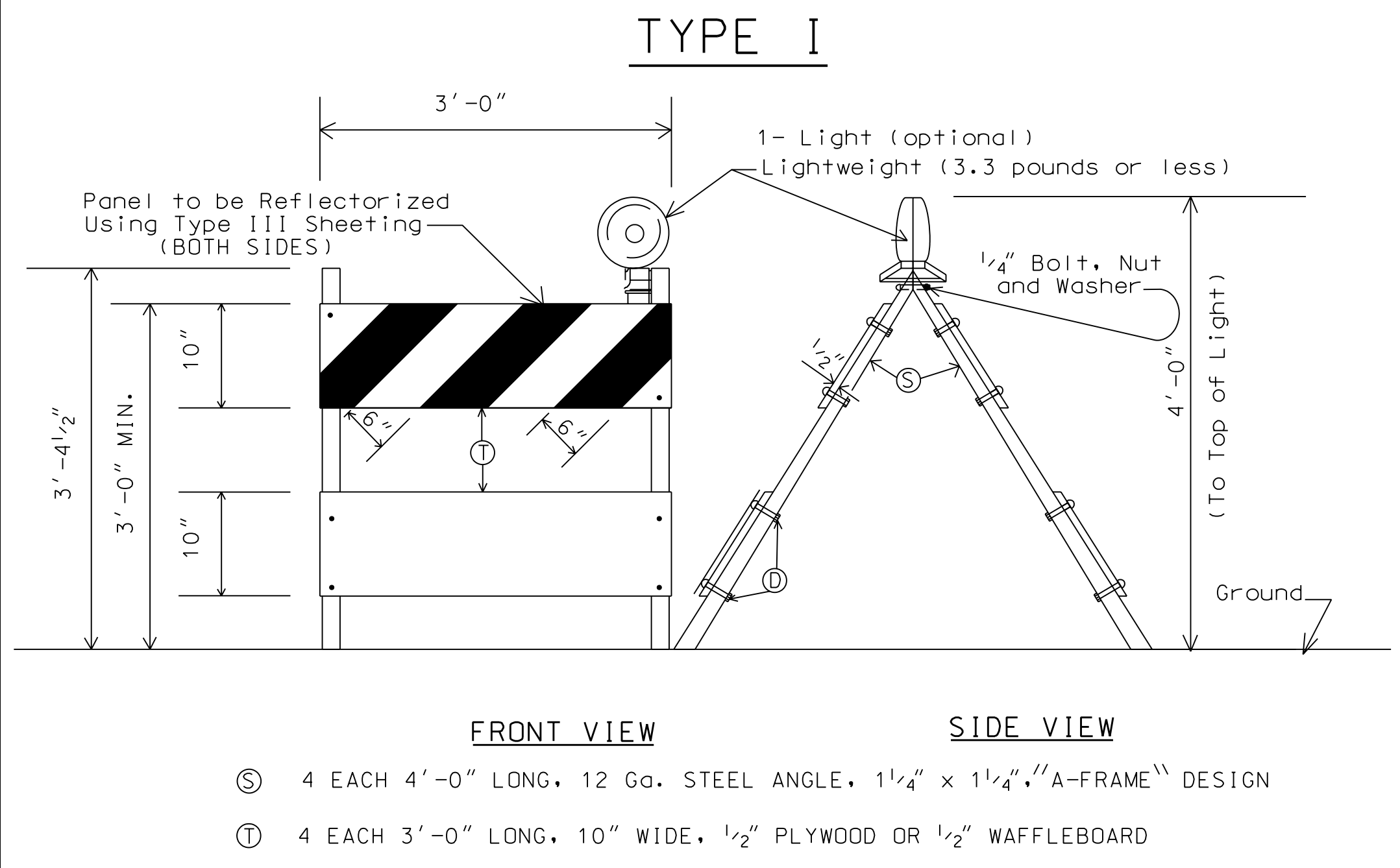
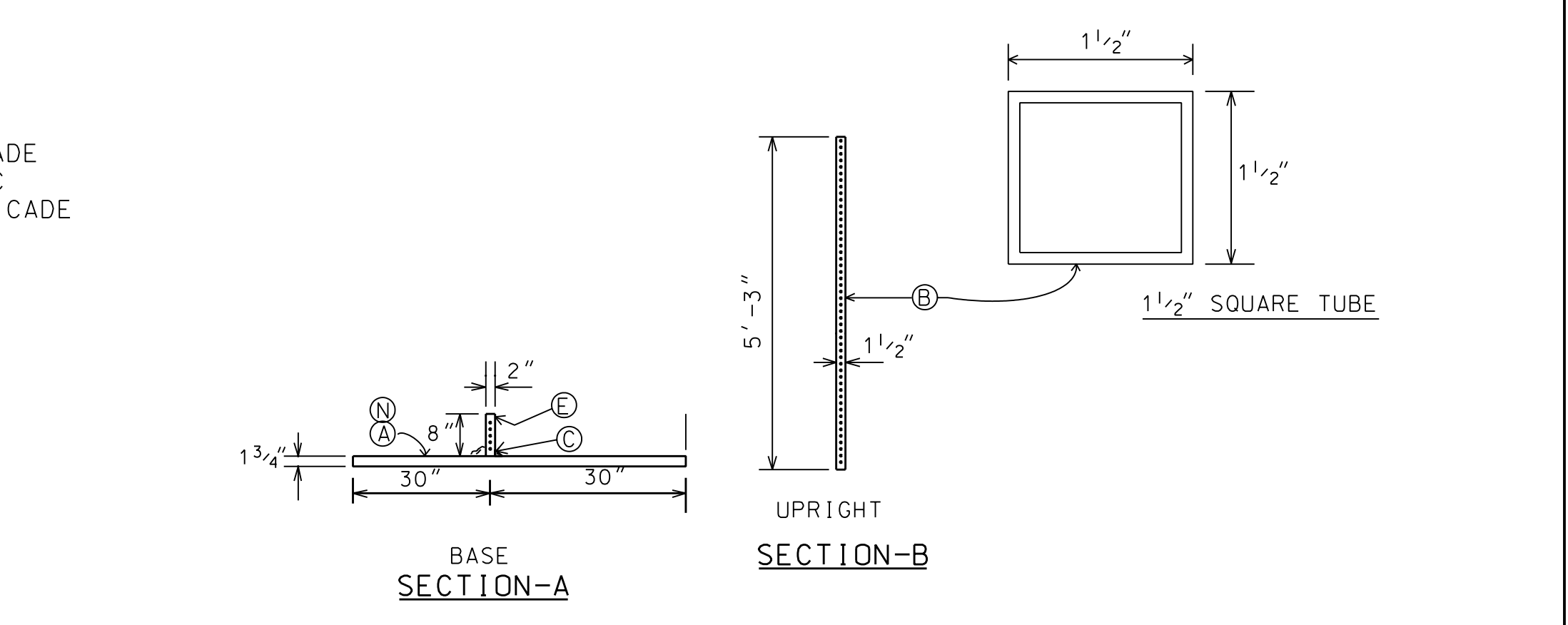
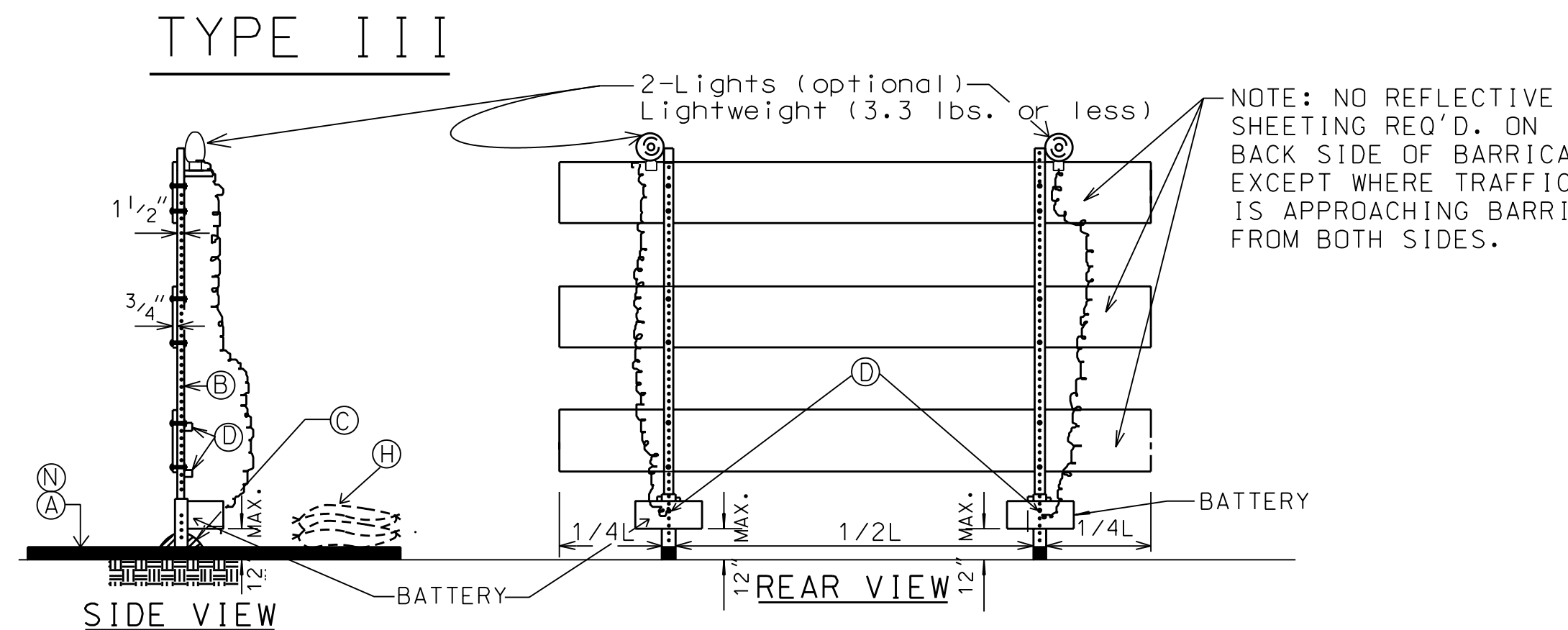
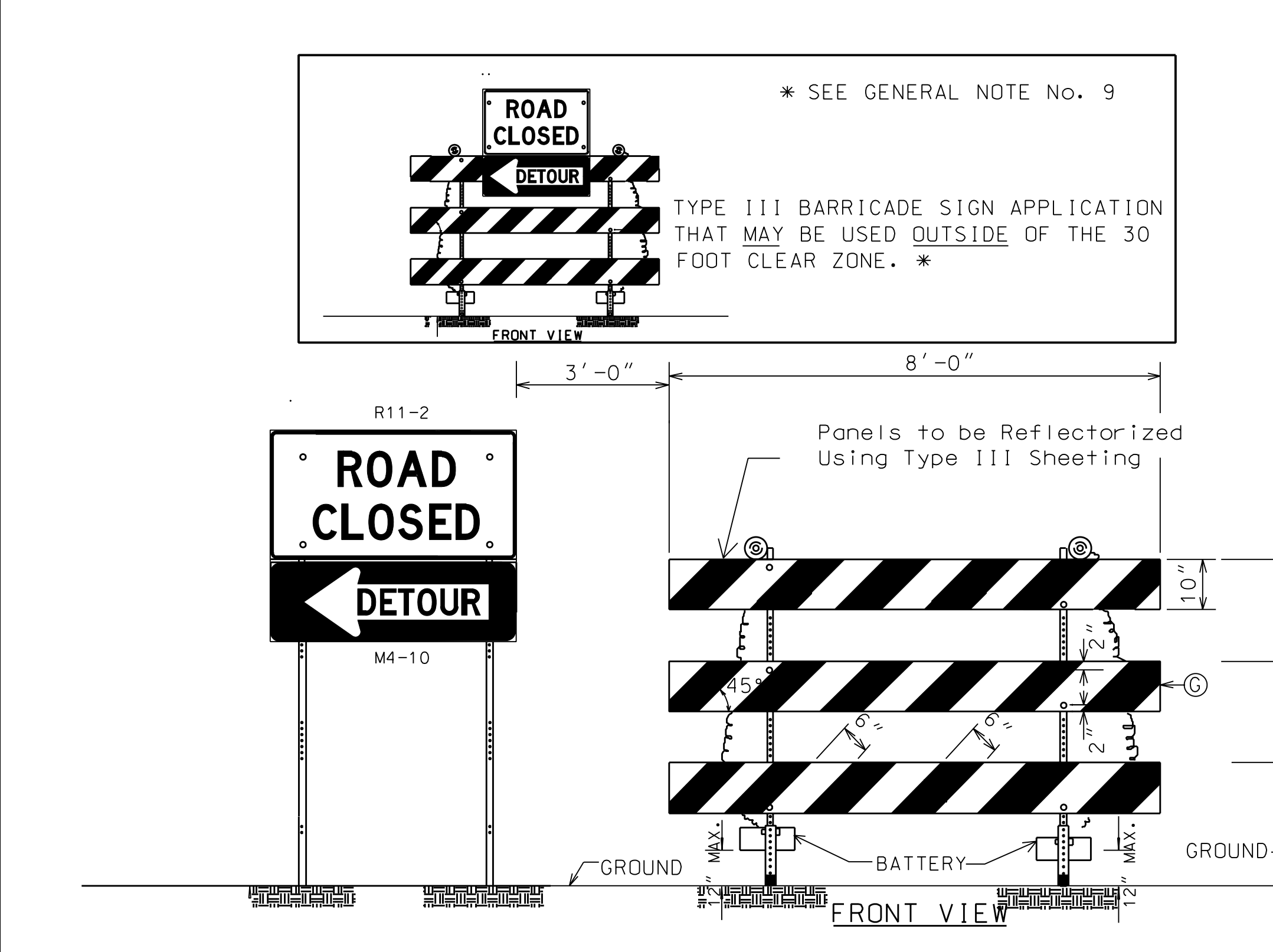


REFERENCE PROJECT NO.	FISCAL YEAR	SHEET NO.



1. IN SITUATIONS WHERE A PORTABLE DEVICE IS DESIRABLE, PANEL SHALL BE MOUNTED ON #2 POST.
2. THIS PANEL MAY BE UTILIZED (AT NO ADDITIONAL COST) AS AN ALTERNATE TO THE TYPE I BARRICADE ONLY WHEN SPACE IS LIMITED.
3. PANEL SHALL BE REFLECTORIZED USING TYPE III REFLECTORIZED SHEETING.
4. THE VERTICAL PANEL SHALL BE PAID FOR AS (SINGLE SIDED) OR (DOUBLE SIDED) PER EACH.
5. WHEN CONDITIONS WARRANT THE PANEL MAY BE MOUNTED FLUSH RIGHT OR FLUSH LEFT ON THE POST TO AVOID ENCRANCHING THE TRAVELWAY.



- A 2 EACH OF 5'-0" LONG 1 1/2" x 1 1/2", 10 GA., ANGLE BASES ALL STEEL TO BE HIGH-CARBON, HOT ROLLED STEEL.
- B 2 EACH UPRIGHT 5'-3" TALL UPRIGHT: 1 1/2" x 1 1/2", 10 GA., ALL STEEL TO BE HIGH-CARBON, HOT ROLLED STEEL.
- C WELD: 1/4" FILLET WELD-AFTER WELDING COMPLETE AREA SHALL BE RE-GALVANIZED IN ACCORDANCE WITH MIL-T-21035 GALVANIZING REPAIR SPECS.
- D 2 1/4" x 3/8" STD. STRENGTH, STEEL BOLTS WITH NUTS AND LOCK WASHERS.
- E 2 EACH OF WELDED 8" LONG x 2" SQUARE TUBE INTO WHICH THE 5'-3" TALL, 1 1/2" x 1 1/2", 10 GA. UPRIGHTS ARE INSERTED.
- F LIGHTS: TYPE A, B, OR C LIGHTS, LIGHTWEIGHT (OPTIONAL). (3.3 POUNDS OR LESS)
- G PANELS: 10" x 8'-0" x 3/4" ACX PLYWOOD, FRONT SIDE SHALL BE STRIPED WITH ALTERNATING ORANGE AND WHITE STRIPES SLOPING 45° TO VERTICAL.
- H SAND BAGS OR SPIKES MAY BE USED FOR ADDED STABILITY.
- I LENGTH OF PANELS SHALL BE 8'-0" MAXIMUM.
- J BASE AND UPRIGHT MAY BE PERFORATED OR NON-PERFORATED.

- #### GENERAL NOTES
1. STRIPES SHALL MAKE AN ANGLE OF 45° WITH THE VERTICAL SLANTING DOWNWARD TOWARD THE SIDE WHICH TRAFFIC IS TO PASS. AT LOCATIONS WHERE THE BARRICADE EXTENDS ENTIRELY ACROSS A ROADWAY, STRIPES SHALL SLOPE DOWNWARD IN THE DIRECTION TOWARD WHICH TRAFFIC MUST TURN IN DETOURING. IF BOTH RIGHT AND LEFT TURNS ARE PROVIDED FOR, THE STRIPES SHALL SLOPE DOWNWARD IN BOTH DIRECTIONS FROM THE CENTER. WHERE NO TURNS ARE INTENDED, THE STRIPES SHOULD SLOPE DOWNWARD TOWARD THE CENTER OF THE BARRICADE OR BARRICADES.
  2. SEE PART 6 OF THE CURRENT M.U.T.C.D. ADOPTED BY ALDOT FOR ERECTION LOCATIONS AND OTHER PERTINENT DATA.
  3. THE HORIZONTAL PANELS ARE DESIGNED TO BE STRIPED IDENTICALLY AND SPACED AS NOTED, SO THE DIAGONAL STRIPES ON EACH PANEL ARE LINED UP TO REFLECT A CONTINUOUS STRIPE FROM THE TOP PANEL TO THE BOTTOM PANEL. PANELS WILL BE INTERCHANGEABLE.
  4. THE ROAD CLOSED AND DETOUR SIGNS SHALL BE PLACED ON THE SIDE OF THE BARRICADE NEAREST THE DIRECTION OF THE DETOUR.
  5. EVERY TYPE III BARRICADE SHALL HAVE AN IDENTIFYING LABEL IMPRINTED OR PERMANENTLY MOUNTED ON AN UPRIGHT BETWEEN THE TOP AND MIDDLE PANELS. THE LABEL SHALL BE VISIBLE UPON ASSEMBLY OF THE BARRICADE AND SHALL BE A MINIMUM SIZE OF 2 SQUARE INCHES. THE LABEL SHALL SHOW THE MANUFACTURER NAME AND THE MODEL NUMBER OF THE BARRICADE. THE MODEL NUMBER OF THE STANDARD TYPE III BARRICADE SHOWN ON THIS DRAWING SHALL BE B-107-2.
  6. ANY MANUFACTURER, CONTRACTOR, VENDOR OR STATE FORCES MAY BUILD AND/OR SUPPLY THE TYPE I AND TYPE II BARRICADES PROVIDED THEY CERTIFY IN WRITING THAT THE BARRICADES CONFORM TO THE DESIGNS AND SPECIFICATIONS OF THIS DRAWING.
  7. OTHER DESIGNS MEETING THE PANEL WIDTH AND LENGTH AND BARRICADE HEIGHT DIMENSIONS SHOWN ON THIS DRAWING MAY BE SUPPLIED PROVIDED THEY HAVE BEEN CRASH TESTED AND APPROVED BY NCHRP 350 STANDARDS INCLUDING ANY LIGHT OR SIGN COMBINATION. ANY TYPE III BARRICADE OTHER THAN MODEL NUMBER B-107-2 MUST BE ON THE "LIST OF QUALIFIED MATERIALS, SOURCES AND DEVICES" (APPROVED PRODUCTS LIST) MAINTAINED BY THE MATERIALS & TESTS BUREAU AND SHALL HAVE AN IDENTIFYING LABEL ACCORDING TO GENERAL NOTE #5.
  8. ONLY PARTS OF IDENTICAL MODEL NUMBERS SHALL BE INTERCHANGEABLE.
  9. ANY SIGN MOUNTED TO A TYPE III BARRICADE INSIDE OF THE 30 FOOT CLEAR ZONE SHALL BE MADE OF ALUMINUM COMPOSITE MATERIAL AND LISTED IN THE APPROVED PRODUCT LIST AS REFERENCED IN NOTE No. 7.

--SPECIFICATIONS--  
**CURRENT ALABAMA DEPARTMENT OF TRANSPORTATION**

THIS DRAWING REPRESENTS DESIGNS PREPARED FOR USE BY THE ALABAMA DEPARTMENT OF TRANSPORTATION AND IS NOT TO BE COPIED, REPRODUCED, ALTERED, OR USED BY ANYONE, OR ANY ORGANIZATION, WITHOUT THE EXPRESSED WRITTEN CONSENT OF THE ALABAMA DEPARTMENT OF TRANSPORTATION REPRESENTATIVE AUTHORIZED TO APPROVE THIS USE. ANYONE MAKING UNAUTHORIZED USE OF THIS DRAWING MAY BE PROSECUTED TO THE FULLEST EXTENT OF THE LAW.

**ALABAMA DEPARTMENT OF TRANSPORTATION**  
 1409 COLISEUM BOULEVARD  
 MONTGOMERY, AL 36130-3050

DESIGN BUREAU SPECIAL DRAWING  
**PERFORATED SQUARE STEEL TUBING (PSST)  
 BARRICADE TYPE I, TYPE II, TYPE III &  
 VERTICAL PANELS TYPE I AND TYPE II**

REVISIONS  
 1. Changed Note No. 4 and Millennium Edition on 11-25-02 J.F.T.  
 2. Revised Note 2; added Notes 5, 6, 7, 8, & 9 on 04-21-05 by W.W.A.

DRAWN BY: J.F.T.  
 DATE DRAWN: 04-24-01

SPECIAL DRAWING NO.  
**B-107-2**

INDEX NO.  
**902**

N. T. S.