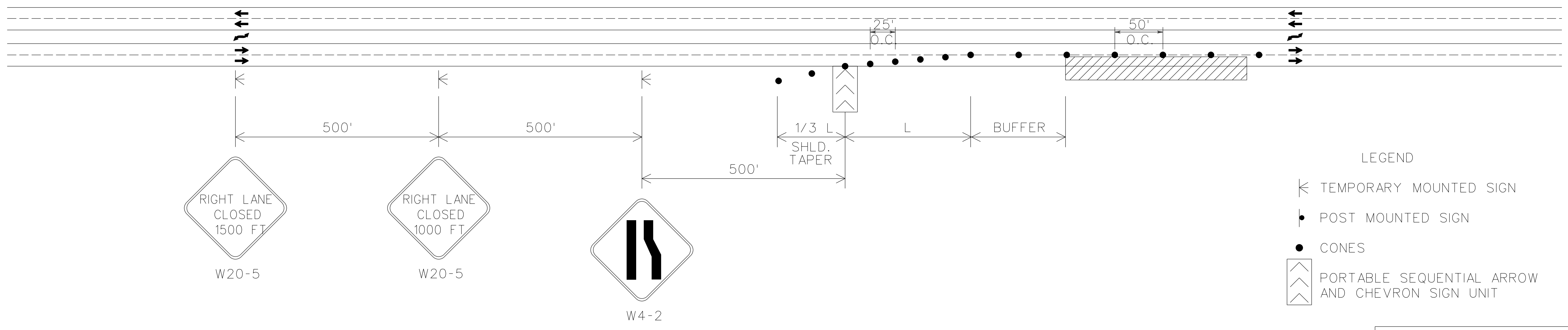


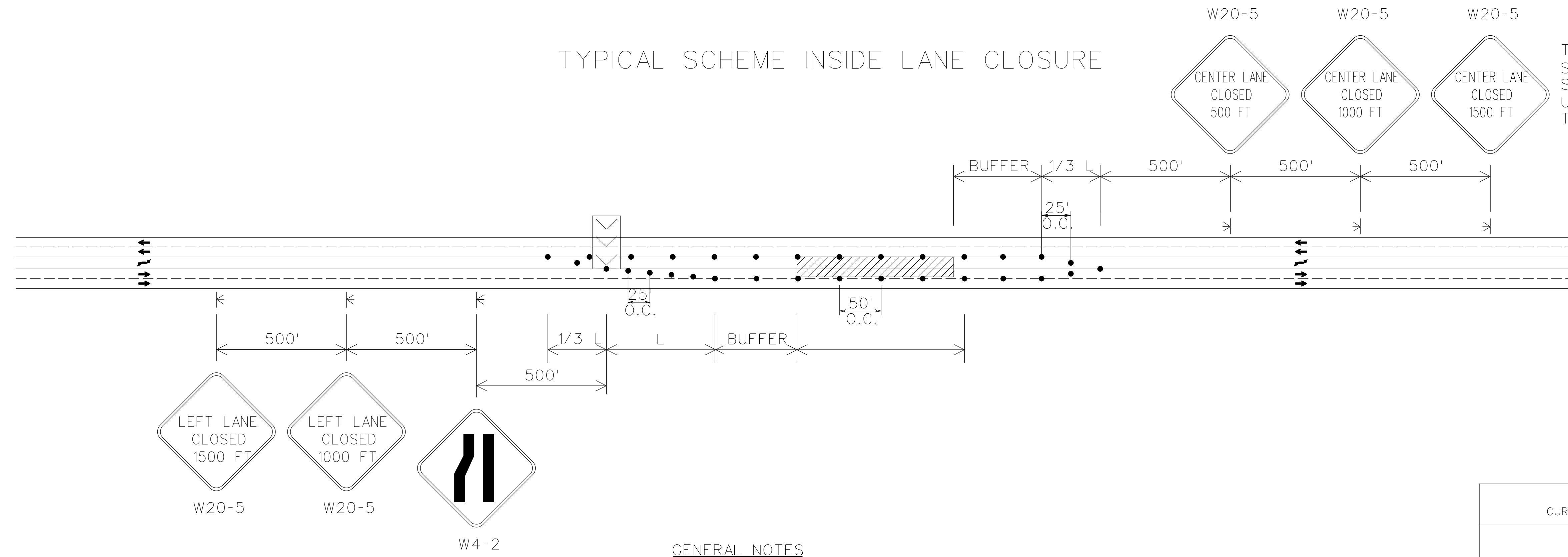
TYPICAL SCHEME FOR OUTSIDE LANE CLOSURE



- LEGEND
- ◁ TEMPORARY MOUNTED SIGN
 - POST MOUNTED SIGN
 - CONES
 - ▤ PORTABLE SEQUENTIAL ARROW AND CHEVRON SIGN UNIT

REQUIRED SIGN SIZES	
W4-2	48" X 48"
W20-5	48" X 48"

TYPICAL SCHEME INSIDE LANE CLOSURE



THE SIGN SIZES SHOWN ON THIS SHEET SHALL SUPERCEDE THOSE SHOWN ON THE STANDARD HIGHWAY SIGNS DRAWINGS UNLESS OTHERWISE APPROVED BY THE ENGINEER.

GENERAL NOTES

1. ALL SIGNS SHALL BE TEMPORARY MOUNTED AS SHOWN.

--SPECIFICATIONS--
CURRENT ALABAMA DEPARTMENT OF TRANSPORTATION

THIS DRAWING REPRESENTS DESIGNS PREPARED FOR USE BY THE ALABAMA DEPARTMENT OF TRANSPORTATION AND IS NOT TO BE COPIED, REPRODUCED, ALTERED, OR USED BY ANYONE, OR ANY ORGANIZATION, WITHOUT THE EXPRESSED WRITTEN CONSENT OF THE ALABAMA DEPARTMENT OF TRANSPORTATION REPRESENTATIVE AUTHORIZED TO APPROVE THIS USE. ANYONE MAKING UNAUTHORIZED USE OF THIS DRAWING MAY BE PROSECUTED TO THE FULLEST EXTENT OF THE LAW.

7/31/19 - ADDED SIGN NOTE djm

ALABAMA DEPARTMENT OF TRANSPORTATION
1409 COLISEUM BOULEVARD
MONTGOMERY, AL 36130-3050

DESIGN BUREAU SPECIAL DRAWING

DETAILS FOR TRAFFIC CONTROL FOR 5-LANE HIGHWAYS

SPECIAL DRAWING NO.
SPECIAL PROJECT DETAIL

DRAWN BY: _____
DATE DRAWN: 1-1-2003