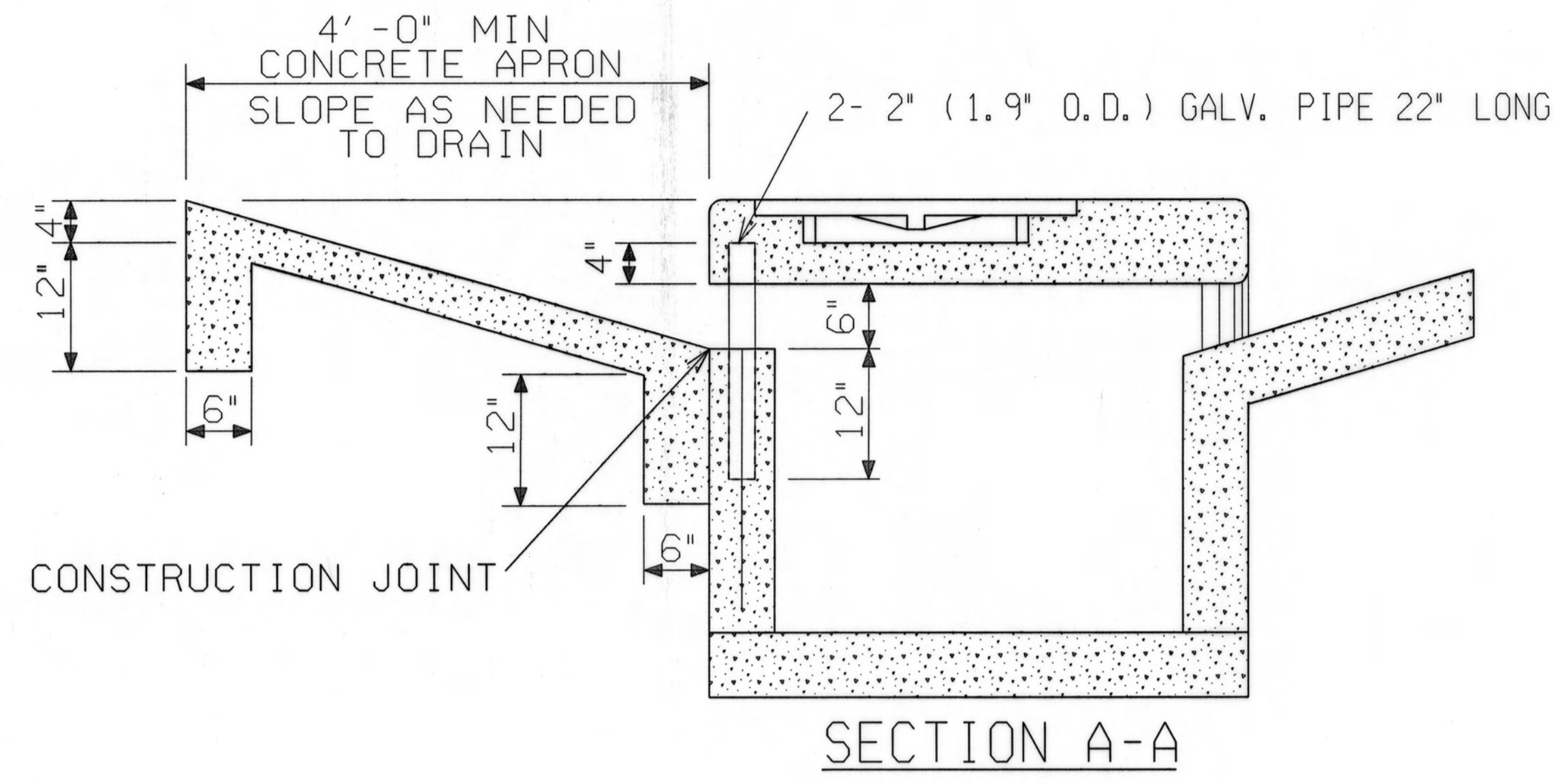


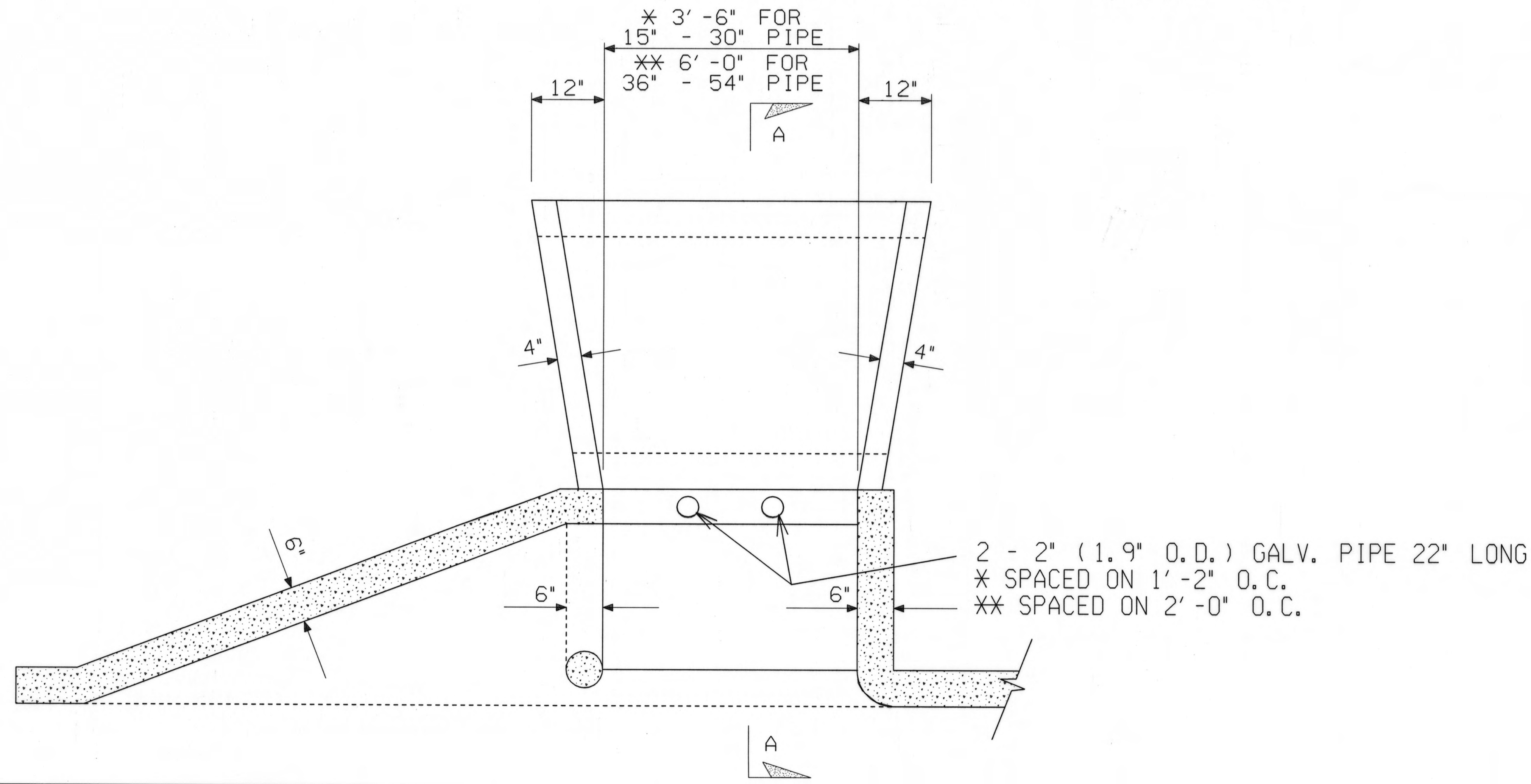
FHWA REG. NO.	STATE	PROJECT NO.	FISCAL YEAR	SHEET NO.	TOTAL SHEETS
4	AL				



GENERAL NOTES
 FOR DETAILS OF REINFORCED CONCRETE
 SEWER INLET TYPE S-3 AND S-4, SEE
 SPECIAL DRAWING NO. I-621-S

NOTE: CONCRETE APRON TO BE PAID AS
 SUBSIDIARY OBLIGATION OF 621C-036

APPROXIMATE QUANTITIES:
 TYPE S3 APRON - 0.4 CU. YD.
 TYPE S4 APRON - 0.5 CU. YD.



STATE OF ALABAMA HIGHWAY DEPT.		
DESIGN BUREAU		
PROJECT DETAIL DRAWING OF MODIFIED S3 AND S4 INLET (WITH CONCRETE APRON ENTERING BACK OF INLET)		
SCALE	PROJECT NO.	PROJECT DETAIL
NONE		DRAWING