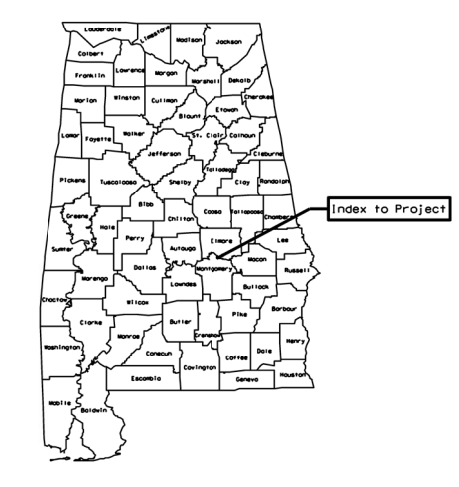
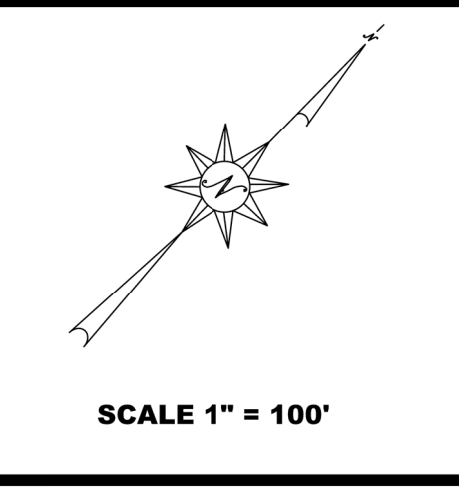


**PHASE II
TRAFFIC CONTROL LEGEND**

- WORK ZONE
- TEMP BARRIER
- TEMP ATTENUATOR
- LANE CLOSED
- ROAD CLOSED

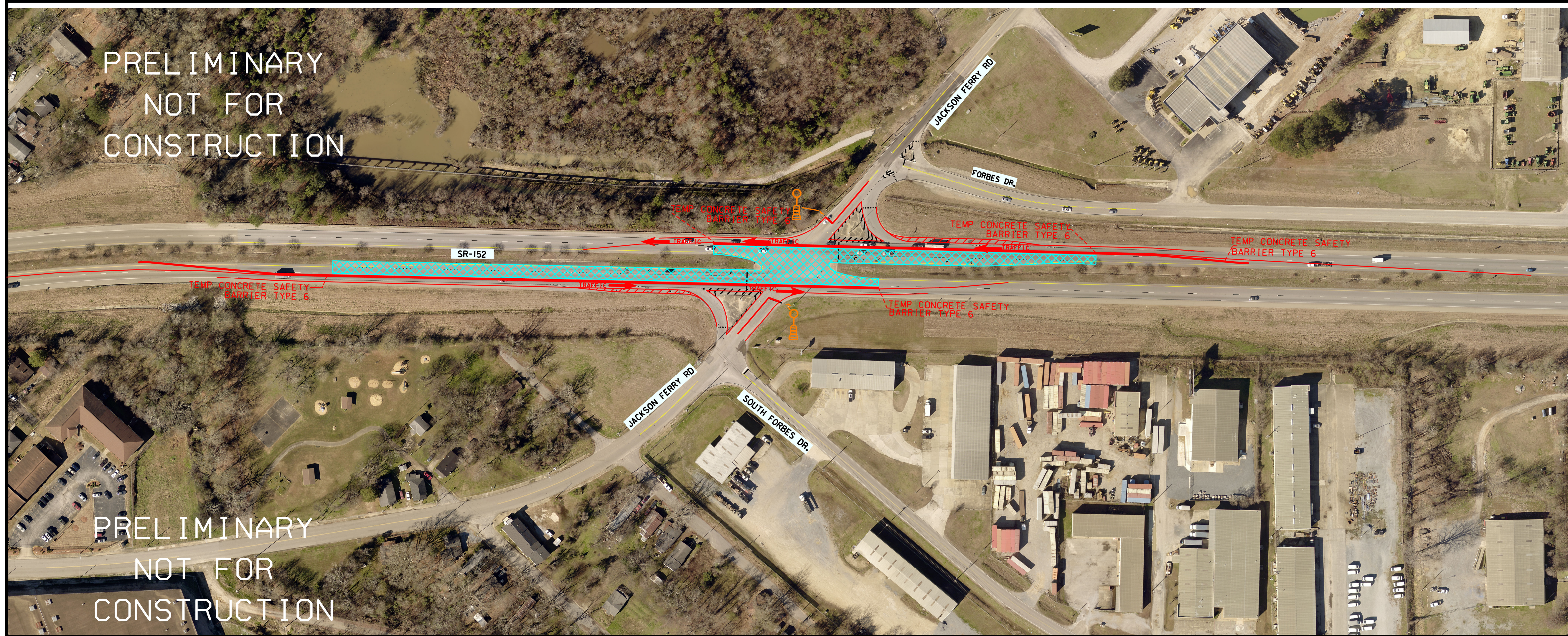


PROJECT NO. RACR-051-152-002
 PHASE II TRAFFIC CONTROL
 READY MIX CONCRETE PAVING PROJECT
 FOR SOUTHEAST REGION - MONTGOMERY AREA
 INTERSECTION IMPROVEMENTS, INCLUDING
 CONSTRUCTING CONCRETE PAVEMENT AT SR-152
 NORTHERN BOULEVARD AND JACKSON FERRY ROAD
 MONTGOMERY COUNTY



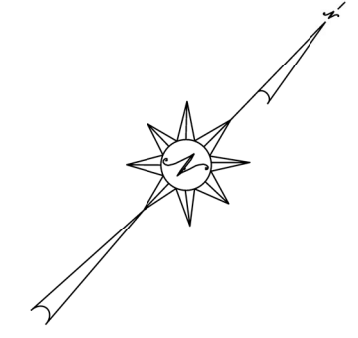
PRELIMINARY
NOT FOR
CONSTRUCTION

PRELIMINARY
NOT FOR
CONSTRUCTION

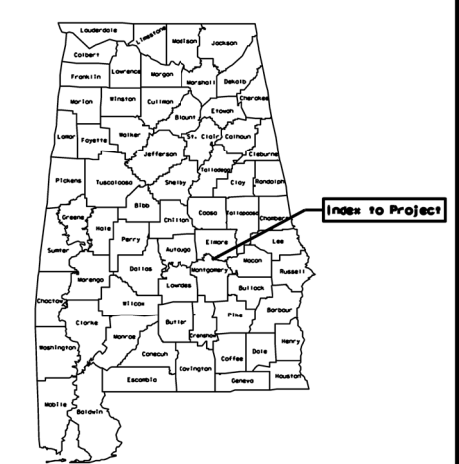


**PHASE III
TRAFFIC CONTROL LEGEND**

- WORK ZONE 
- TEMP BARRIER 
- TEMP ATTENUATOR 
- LANE CLOSED 
- STOP SIGN BARREL 



SCALE: 1" = 100'



PROJECT NO. RACR-051-152-002
PHASE III TRAFFIC CONTROL
READY MIX CONCRETE PAVING PROJECT
FOR SOUTHEAST REGION - MONTGOMERY AREA
INTERSECTION IMPROVEMENTS, INCLUDING
CONSTRUCTING CONCRETE PAVEMENT AT SR-152
(NORTHERN BOULEVARD) AND JACKSON FERRY ROAD,
MONTGOMERY COUNTY



ALABAMA DEPARTMENT
OF
TRANSPORTATION
SOUTHEAST REGION